

innuos



# PHOENIXUSB Quick Start Guide

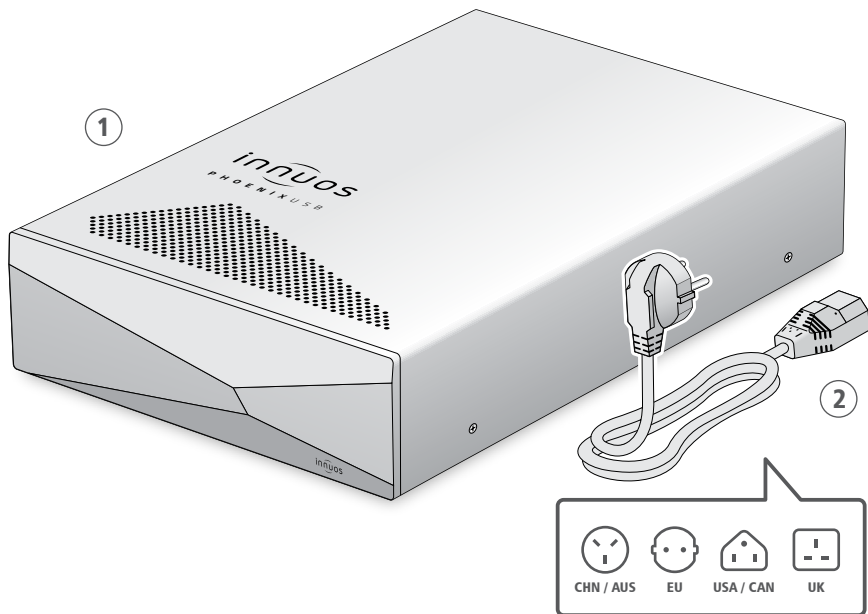
# Thank you for buying our PhoenixUSB.

This quick start guide will show you how to get started with your new PhoenixUSB.

Should you have problems please contact [support@innuos.com](mailto:support@innuos.com) and we'll be happy to assist you.

# Contents

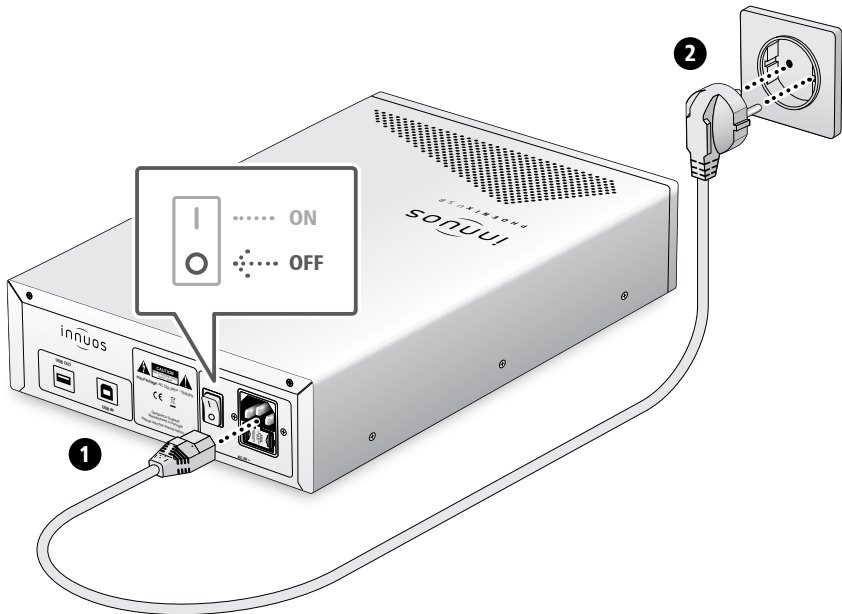
<b>1</b>	Box Contents .....	<b>2</b>
<b>2</b>	Connect PhoenixUSB to mains power .....	<b>3</b>
<b>3</b>	Connect PhoenixUSB to Source and DAC .....	<b>4</b>
<b>4</b>	Power Off .....	<b>5</b>



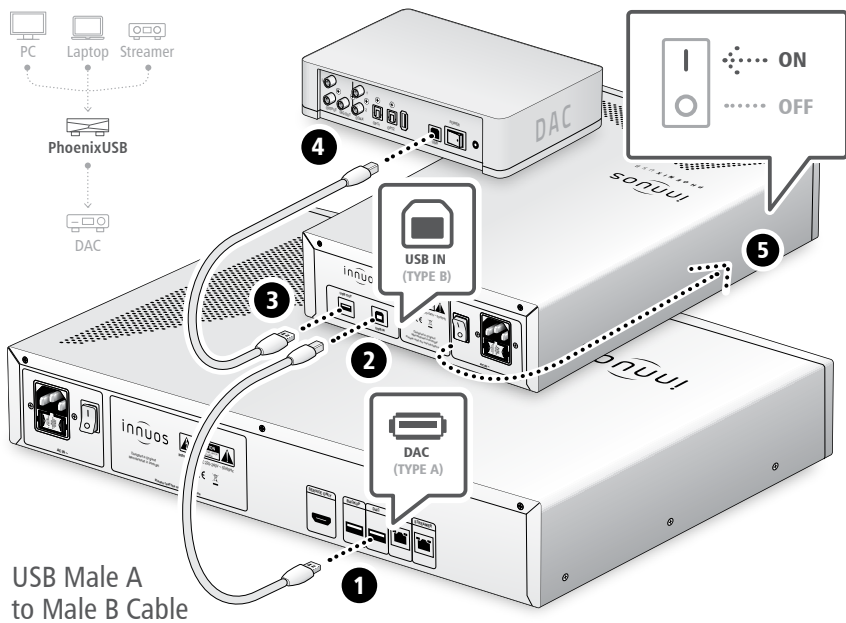
① Innuos PhoenixUSB

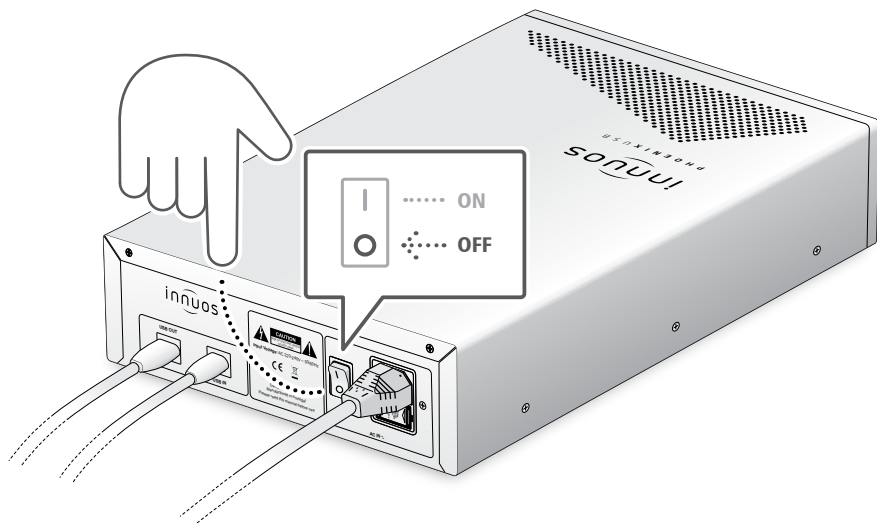
② Mains Cable

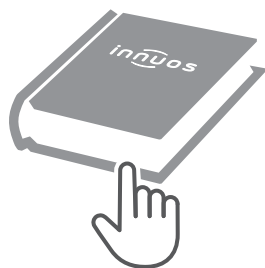
## 2 Connect PhoenixUSB to mains power



Make sure your PhoenixUSB is powered off before connecting the AC Mains Cable.







For more information and for the latest version of this quick start guide please visit:

**[innuos.com/support](https://innuos.com/support)**