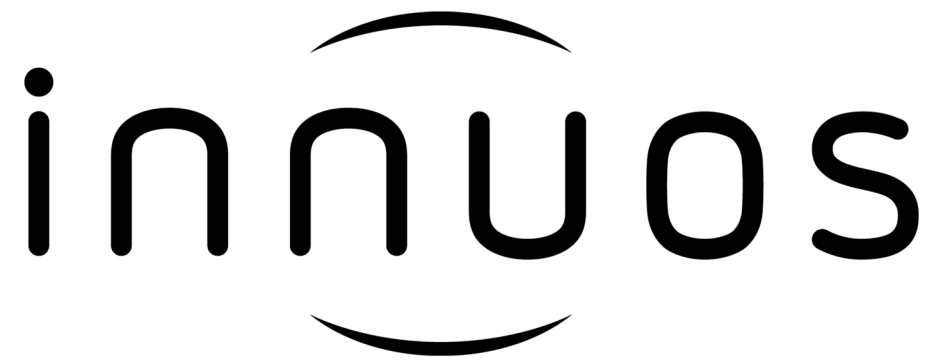


innuos



PULSEmini

Quick Start Guide



Thank you for buying our PULSEmini Network Music Player and welcome to Innuos family!

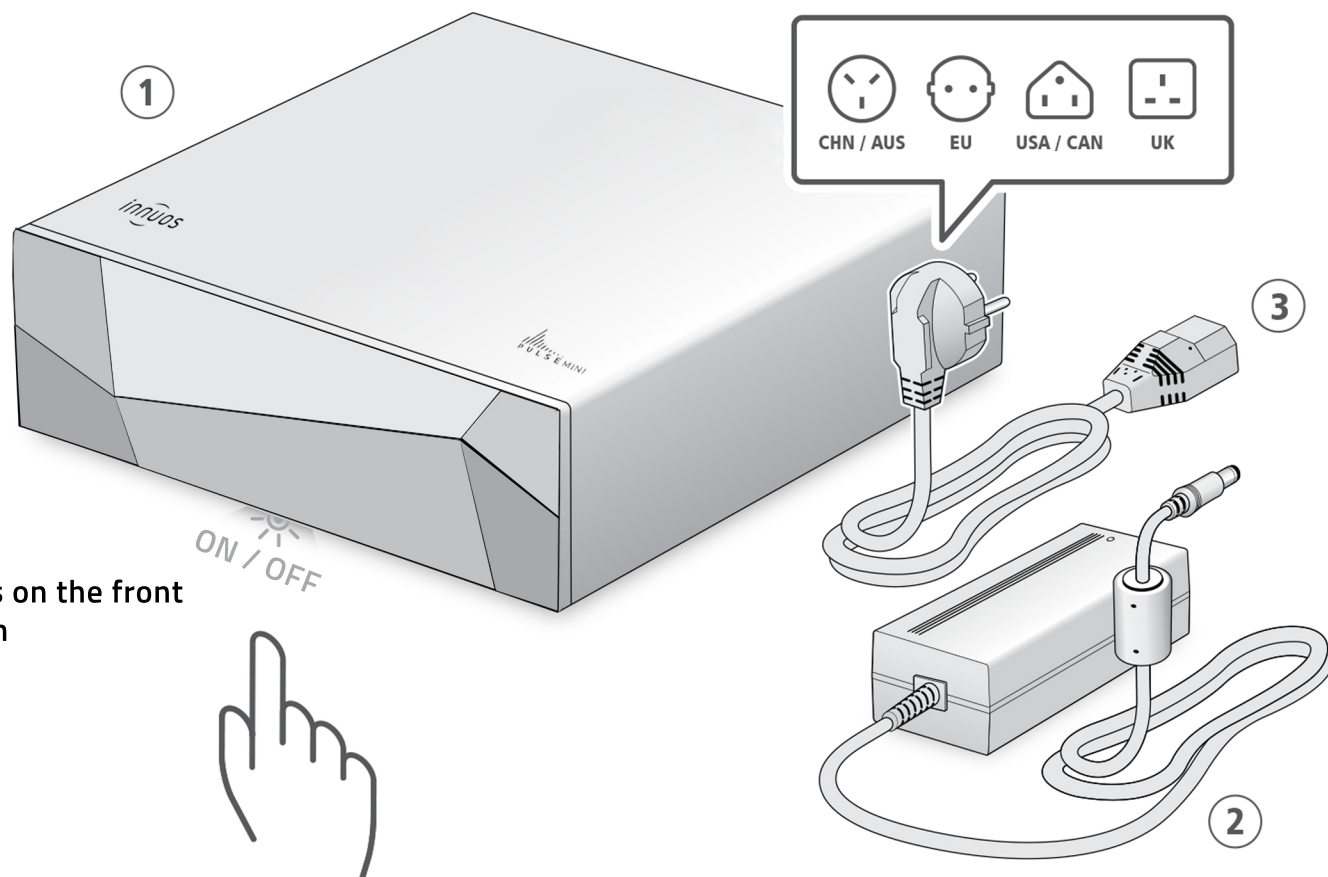
This Quick Start Guide will show you how to get started with your new music player. For further details, troubleshooting, and help with advanced setups, visit our support page at <https://innuos.com/support/>.

At Innuos, we appreciate your feedback. In fact, once you download and start using our Sense app to play your music, we encourage you to register at our Feedback Zone at <https://feedback.innuos.com/> where you can help shape future software development by providing your thoughts and feature requests.

You can also join us on social media to keep informed about events, new features and products.

Enjoy the music,
The Innuos Team


innuos

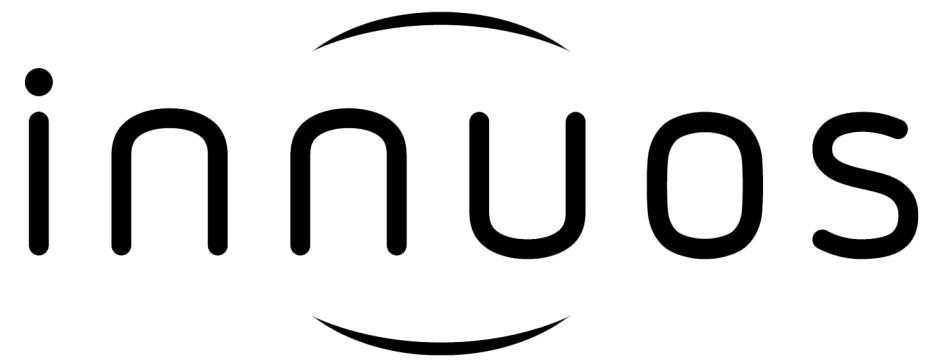


The ON / OFF button is on the front underneath the system

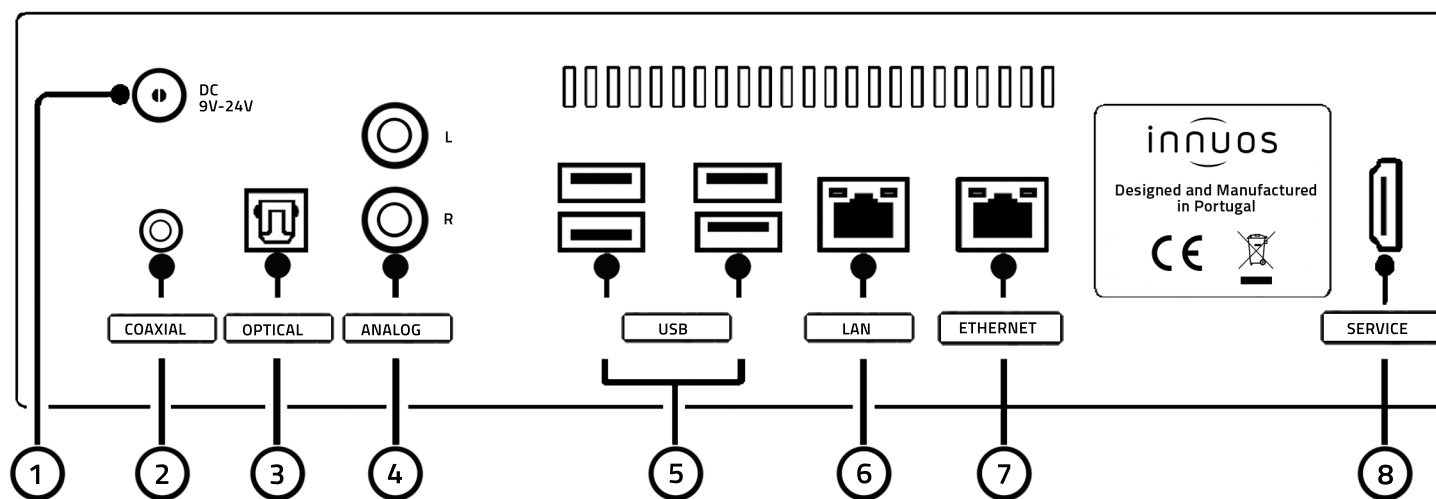
- 1 Innuos PULSEmini Music Server
- 2 AC/DC Power Adapter

- 3 Mains Power Cable
- 4 2m Ethernet Cable

 Please press and release. Do not hold the front power button down.



PULSEmini Rear Panel Diagram



- 1 DC Power Connector
- 2 Digital Coaxial Output
- 3 Digital Optical Output

- 4 Analog RCA Output
- 5 4x USB 3.0
- 6 Ethernet input from Router

- 7 Ethernet AUX
- 8 HDMI Output (Service Only)

Download our INNUOS SENSE App

Please find our INNUOS Sense App on the following platforms



You can also access our INNUOS SENSE App using a modern browser at the following address: my.innuos.com